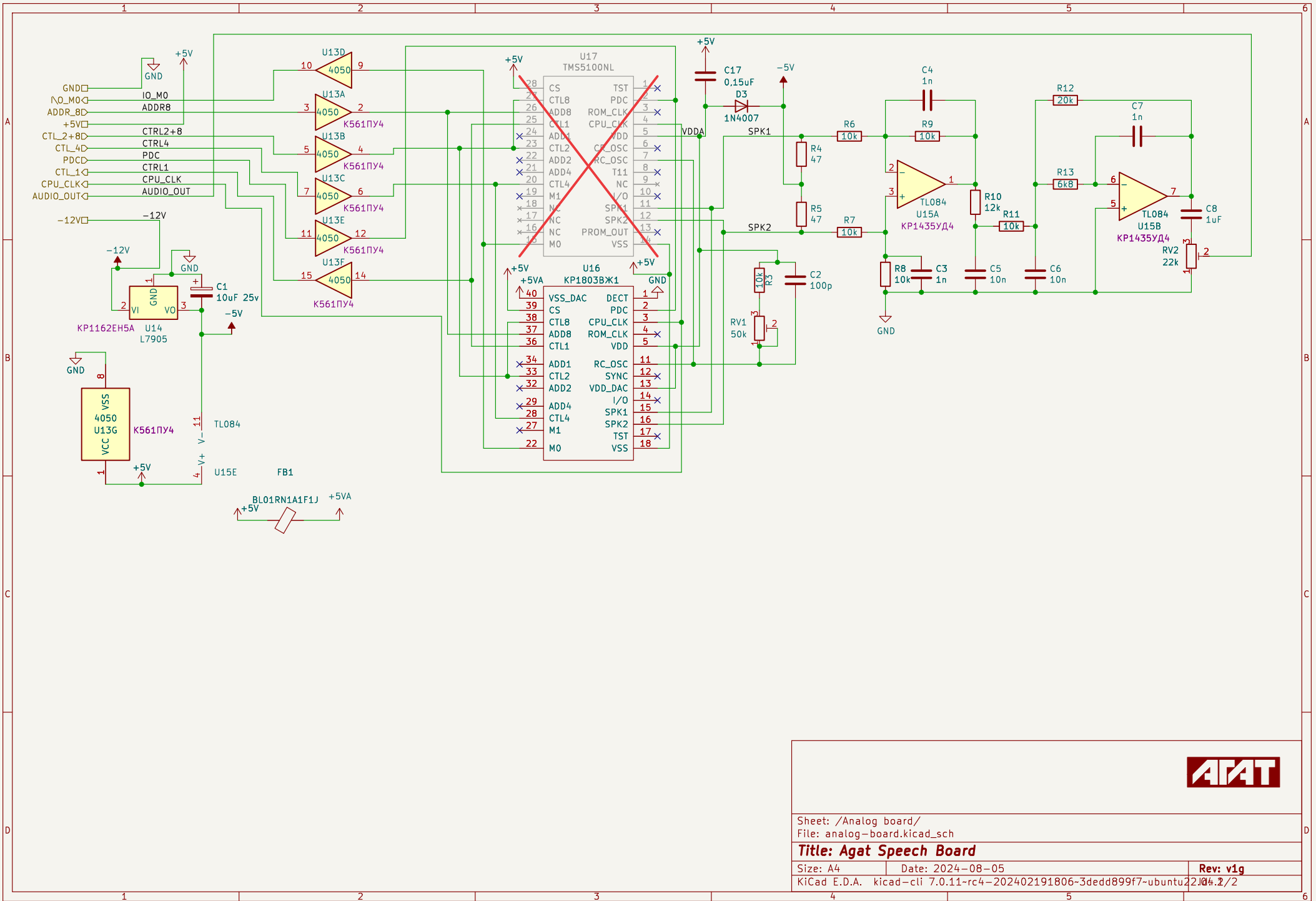


Sheet: /		
File: agat-speech.kicad_sch		
Title: Agat Speech Board		
Size: A3	Date: 2024-08-05	Rev: v1g
KiCad E.D.A. kicad-cli 7.0.11-rc4-202402191806-3dedd899f7-ubuntu22.04.1/2		



Sheet: /Analog board/
 File: analog-board.kicad_sch

Title: Agat Speech Board

Size: A4 Date: 2024-08-05 Rev: v1g
 KiCad E.D.A. kicad-cli 7.0.11-rc4-202402191806-3dedd899f7-ubuntu22.04.2/2